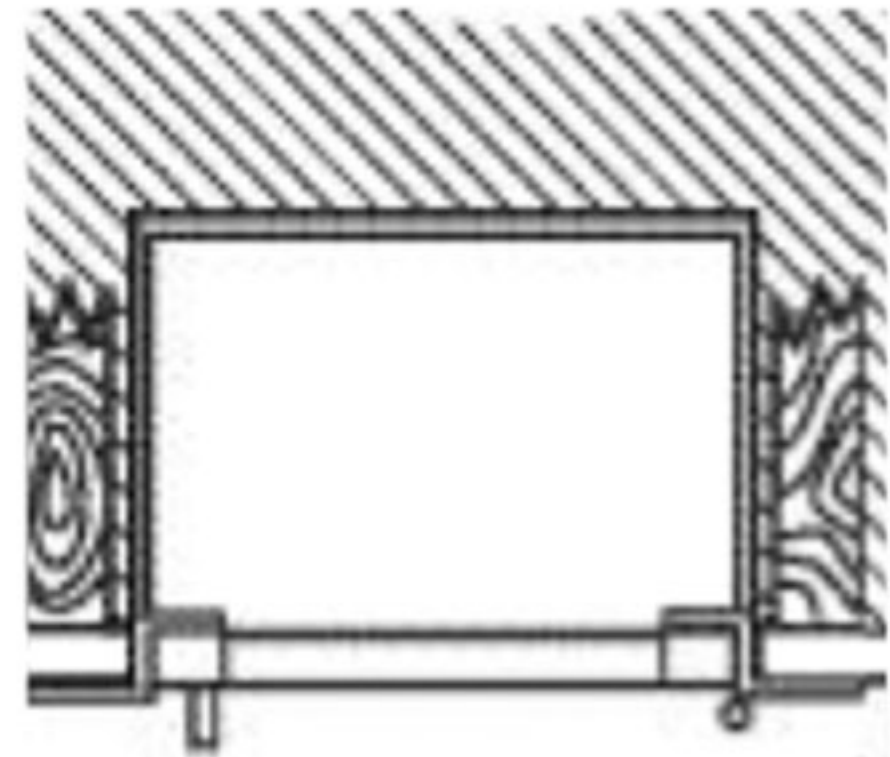
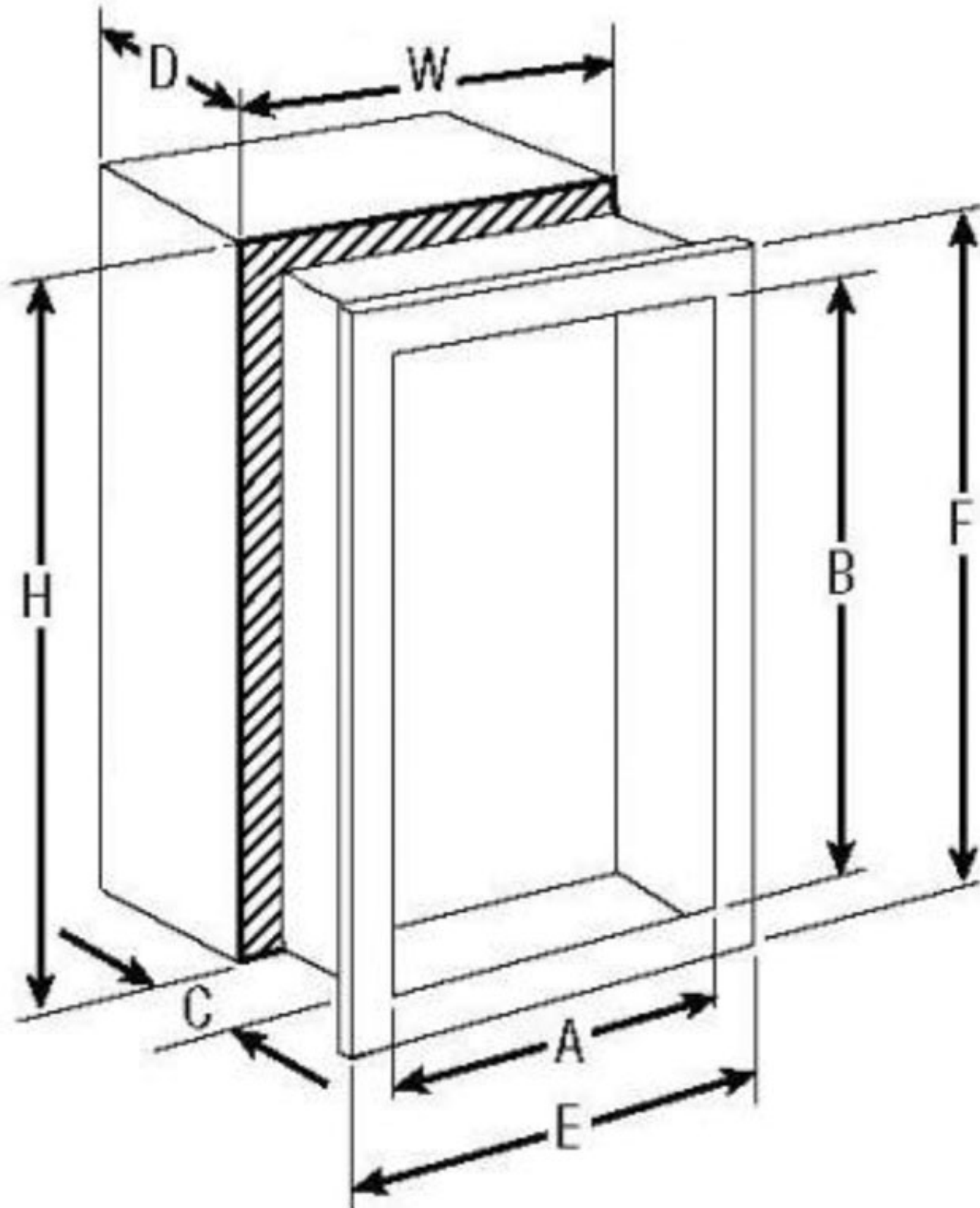


RECESSED TRIM SUBMITTAL : DIMENSIONS

DOOR SERIES #	Tub I.D.			Frame O.D.		Wall Opening		
Model	A	B	C	E	F	W	H	D
18x5	10-1/2	24	5-1/2	13 7/8	27 3/8	11 1/2	25	5 3/8
10x5	10-1/2	32	6	13 7/8	27 3/8	11 1/2	25	5 7/8
20x5	12	27	7 3/4	15 3/8	30 3/8	13	28	7 5/8



3/8" Flat Trim

